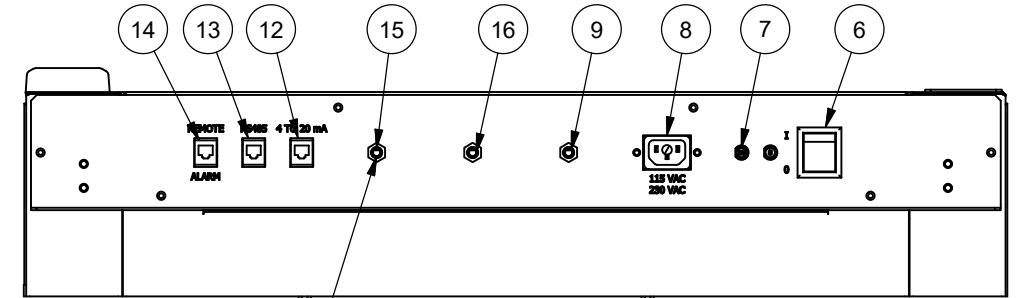
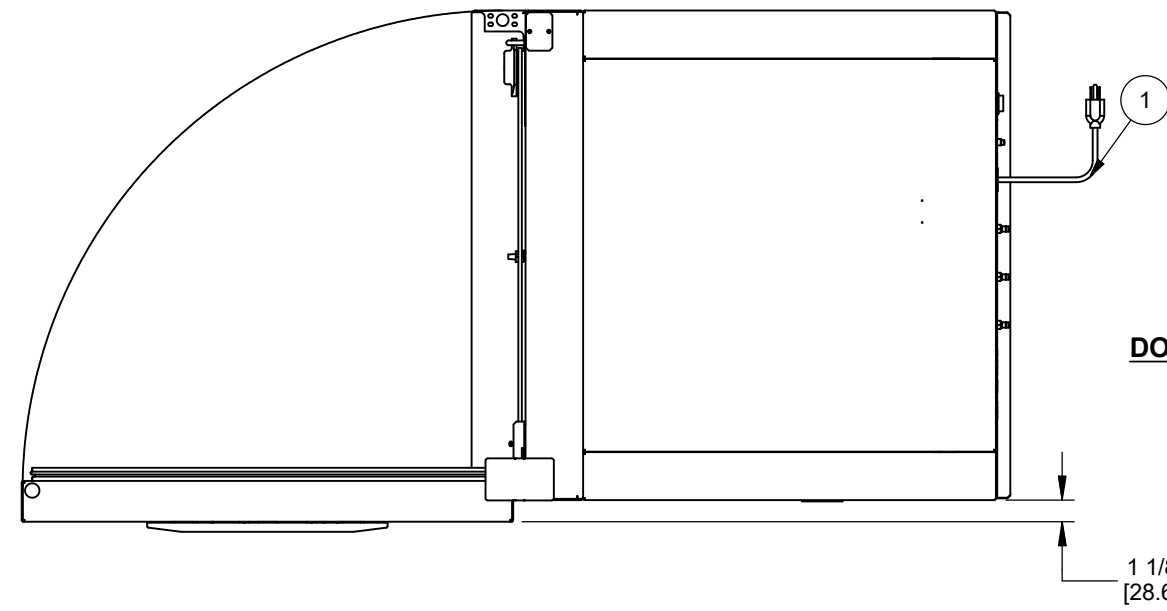


ITEM	DESCRIPTION
1	POWER CORD
2	DISPLAY SCREEN
3	CO2 SAMPLE PORT
4	ACCESS PORT 1-1/8" [28.6mm]
5	USB CONNECTION PORT COVER
6	ON / OFF SWITCH
7	CIRCUIT BREAKER
8	AC POWER CORD CONNECTION
9	CO2 INLET
10	AIR FILTER
11	CO2 FILTER
12	4 - 20 MA CONNECTION
13	RS-485 CONNECTION
14	REMOTE ALARM CONNECTION
15	AIR SUPPLY INLET
16	N2 INLET
17	N2 SUPPLY FILTER
18	RH TANK
19	PORT PLUG: MODELS W/O HEATED DECON
20	SILICON PORT PLUG: MODELS W/HEATED DECON
21	SENSOR BAY ACCESS PANEL
22	USB PORT - FRONT

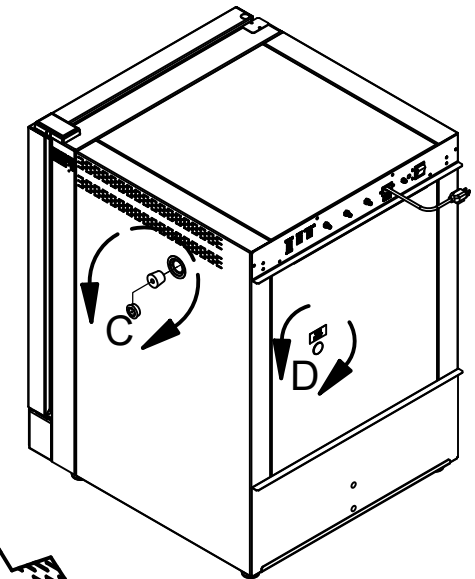


REV	ECO	DESCRIPTION	DATE	DFTM	CHKD
C	13712	ADDED FRONT USB PORT, ADDED CAUTION LABEL TO FRONT VIEW	4/2/2018	TH	KCK



VIEW A-A

DO NOT PLUG OR INSTALL PRESSURIZED SOURCE



EXTERIOR DIMENSIONS

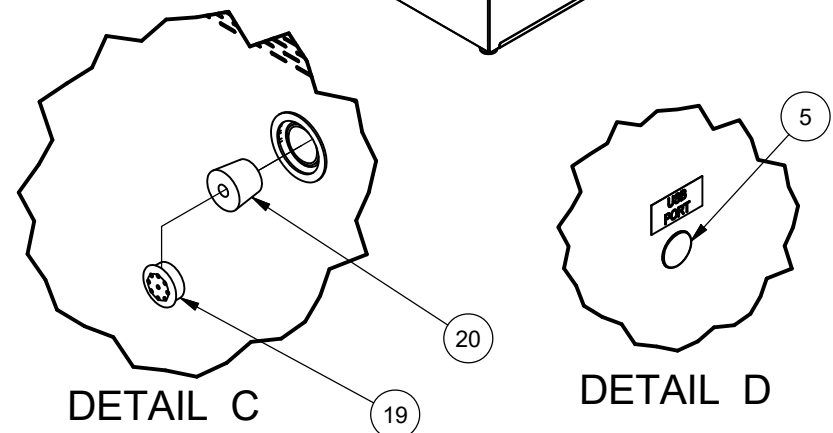
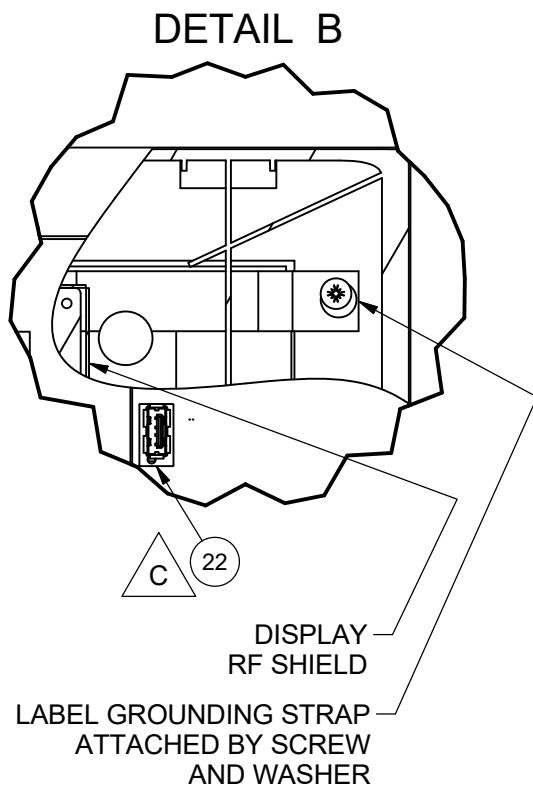
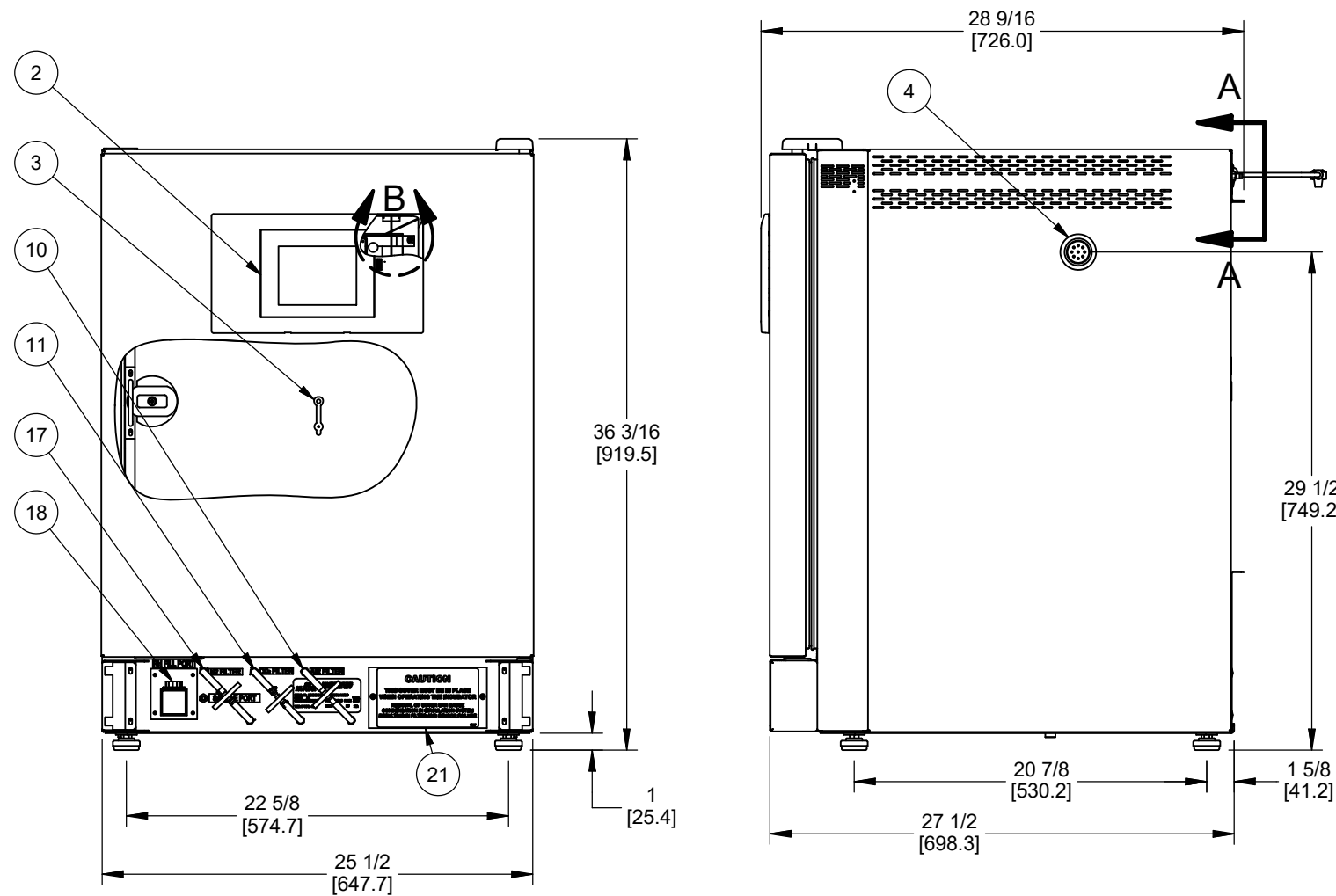
35.188" [893.8mm] H
 25.500" [647.7mm] W
 27.500" [698.0mm] D

INTERIOR DIMENSIONS

24.000" [609.6mm] H
 20.250" [514.4mm] W
 20.678" [525.2mm] D

SHELF DIMENSIONS

18.000" [457.2mm] W
 18.750" [476.3mm] D



TITLE					
ASSEMBLY, NU-5700					
DFTM	DATE	CHKD	SHEET	1	OF 1
TH	9/23/2016	KCK			
DRAWING NUMBER			BCD-18412		C