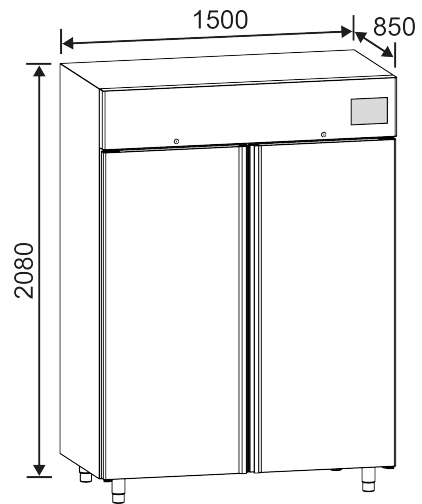


# LF 1365 W LITE



Color: **White**

Panel: **LITE**

- LED backlit control panel
- Temperature display resolution 0,1°C
- Audible and visual alarms
- Dry contact for alarms signal remoting

## TECHNICAL FEATURES

Product Code	AEN650L
Temperature	-5°C / -25°C
Refrigeration Type	Forced air
Defrost Type	Automatic, with heating resistance
Condensate Evaporation	Automatic
Refrigerant Gas	R290
Climatic Class	+16°C / +38°C (ST)
External Dimensions (W x D x H mm)	1500 x 850 x 2080

## ELECTRICAL DATA

Power Supply (V/ph/Hz)	220-230/1/50
Power Plug	Type F

## STRUCTURAL FEATURES

Structure	Upright
External Material	Anti-bacterial coated steel white colour
Internal Material	Stainless steel 18/10 AISI 304
Insulation Thickness (mm)	75
Insulated Door	Yes
Automatic Door Closure	Yes
Heated Door Seal	Yes
Shelves Number	6
Shelf Material	Wire steel with white colour plastic coating
Shelves Dimensions (W x D mm)	530 x 650
Shelf Adjustment Step Range (mm)	89
Maximum Shelf Quantity	-
Drawers with extractable slides	Optional
Drawer Adjustment Step Range (mm)	89

## CONTROL PANEL

Display Type	LED
Access Password	No
Probe Type	Nr. 2 NTC
Alarm Signaling	Acoustic and visual
Alarm Indications	Codes
Adjustable High/Low Temperature Alarm	Yes
Adjustable Door Open Alarm	Yes
Power Loss Alarm	Yes
Probe Fault Alarm	Yes
Acoustic Alarm Silencing Options	Yes
Calibration	Yes

## CONTROL PANEL

Alarm Memory

10

Dry Contact

Yes (NC)