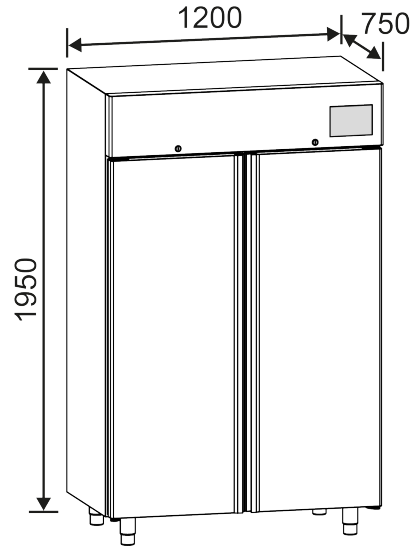


LR 925 W LITE



Color: **White**

Panel: **LITE**

- LED backlit control panel
- Temperature display resolution 0,1°C
- Audible and visual alarms
- Dry contact for alarms signal remoting

TECHNICAL FEATURES

Product Code	ABJ250L
Temperature	0°C / +15°C
Refrigeration Type	Forced air
Defrost Type	Automatic, with heating resistance
Condensate Evaporation	Automatic
Refrigerant Gas	R290
Climatic Class	+16°C / +43°C (T)
External Dimensions (W x D x H mm)	1200 x 750 x 1950

ELECTRICAL DATA

Power Supply (V/ph/Hz)	220-230/1/50
Power Plug	Type F

STRUCTURAL FEATURES

Structure	Upright
External Material	Anti-bacterial coated steel white colour
Internal Material	Stainless steel 18/10 AISI 304
Insulation Thickness (mm)	50
Insulated Door	Yes
Automatic Door Closure	Yes
Shelves Number	6
Shelf Material	Wire steel with white colour plastic coating
Shelves Dimensions (W x D mm)	460 x 570
Shelf Adjustment Step Range (mm)	100
Maximum Shelf Quantity	-
Drawers with extractable slides	Optional
Drawer Adjustment Step Range (mm)	100

CONTROL PANEL

Display Type	LED
Access Password	No
Probe Type	Nr. 2 NTC
Alarm Signaling	Acoustic and visual
Alarm Indications	Codes
Adjustable High/Low Temperature Alarm	Yes
Adjustable Door Open Alarm	Yes
Power Loss Alarm	Yes
Probe Fault Alarm	Yes
Acoustic Alarm Silencing Options	Yes
Calibration	Yes
Alarm Memory	10

CONTROL PANEL

Dry Contact

Yes (NC)