



NEW! Model NU-99729VFT (Variable Frequency & Touchscreen)

-86°C ULTRA-LOW TEMPERATURE FREEZER



The NuAire Blizzard -86°C Ultralow Freezer features reliable performance for the storage of stem cells, blood & tissue samples, and vaccine vials. The NU-99729VFT model now features a new touchscreen control center that catalogues ULT inventory, allows user account creation, graphs past freezer performance, and produces visual/audible alarms.

Storage Capacity: 729 L (25.75 ft³)

Electrical Configuration:

100-230 VAC / 50-60 Hz
15 & 20 amps

Energy Star Certified

Quiet Compressor Motor

High Performance or

Energy Saving Mode

Quadruple Gasketed Door

4 Mini Inner Doors



Intuitive Menu Navigation



Inventory Screen

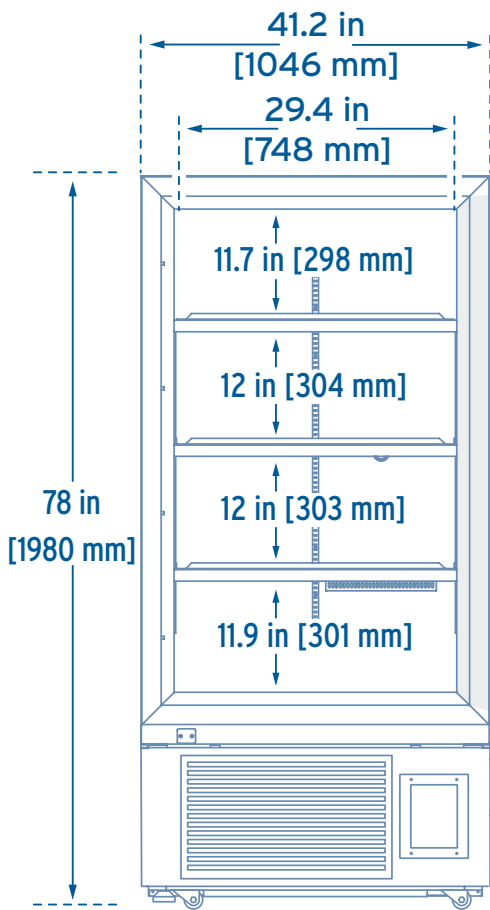
Monitor and track all stored items with intuitive touchscreen controls

Performance Graph

Track historical temperature data for up to ten years and export via USB

Notification Records

This model records all freezer activity for up to ten years

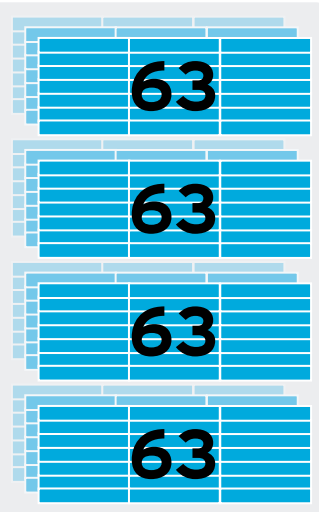


Unit Depth: 39.3 in [998 mm]

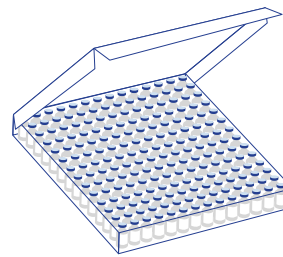
Shelf Depth: 27.6 in [702 mm]

**Note: Vaccine storage capacity is calculated by manufacturer's provided measurements, actual capacity may vary.*

CoVid-19 Vaccine Boxes



Total:
252*
49,140 Vials



1 Box = 195 Vials

Box Width: 9" [229 mm]

Box Depth: 9" [229 mm]

Box Height: 1.6" [41 mm]



1 Vial = 5 Doses

**Note: 2 Doses are needed to inoculate 1 person*

Power Cord Options



220V NEMA 6-15P (15A)



115V NEMA 5-20P (20A)



125V US (15A)



125V US (20A)



250V EU Type C (16A)



240V UK Type G (16A)

5 **WARRANTY**
PARTS + LABOR
YEAR United States & Canada

6 **WARRANTY**
PARTS
YEAR Worldwide

More Information
or Request a
Quote at



www2.nuaire.com/blizzard-ultralow-freezer-nu-99729J

Model	Configuration	Storage Capacity	Interior Dimensions (W x D x H)	Exterior Dimensions (W x D x H)	Temperature Range	Net Weight	Electrical Configurations
NU-99729VFT	Upright	25.75 cu ft [729 L]	30.1 x 28.2 x 51.6 in [766 x 716 x 1310 mm]	41.2 x 39.3 x 78 in [1046 x 998 x 1980 mm]	-40°C to -86°C	770 lbs [349 kg]	100-230 V 50/60 Hz 15/20 amp