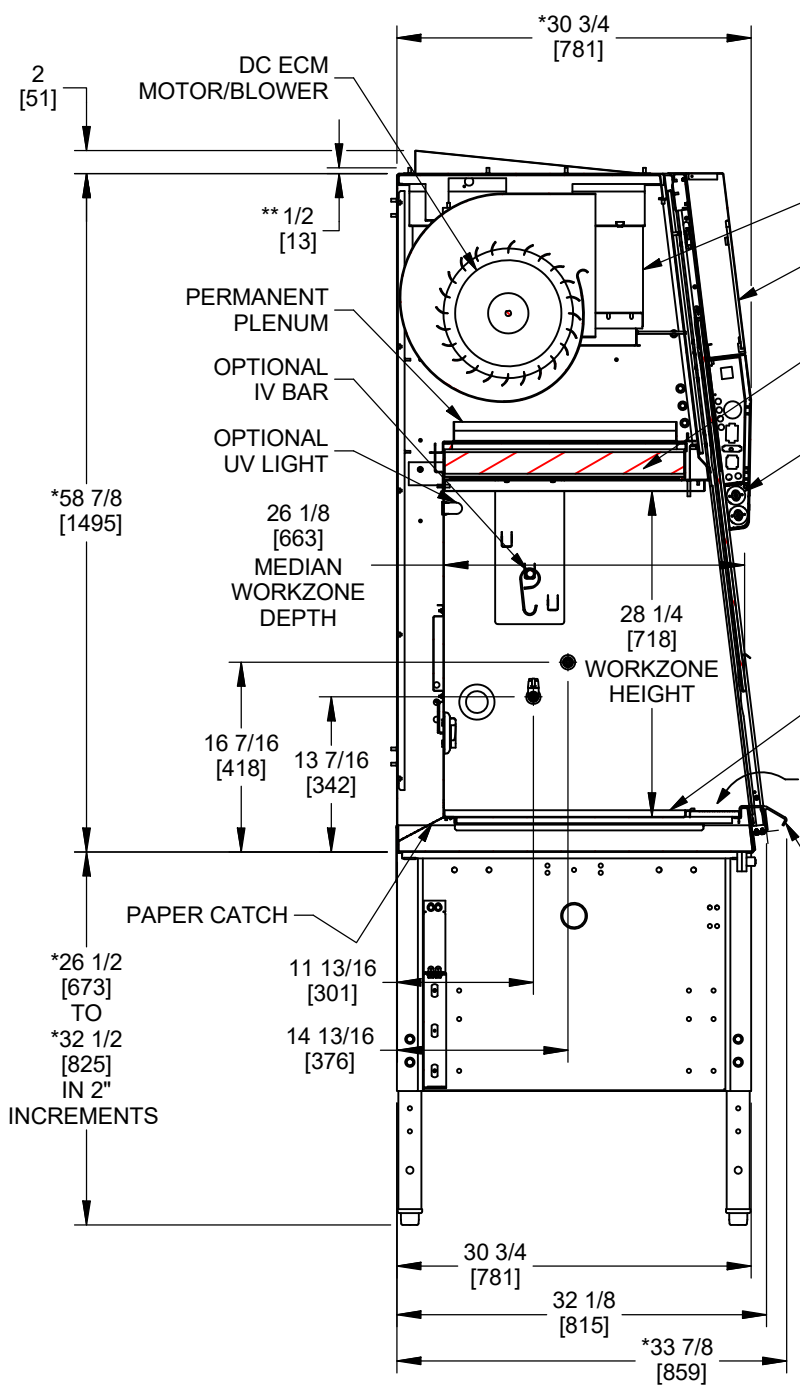
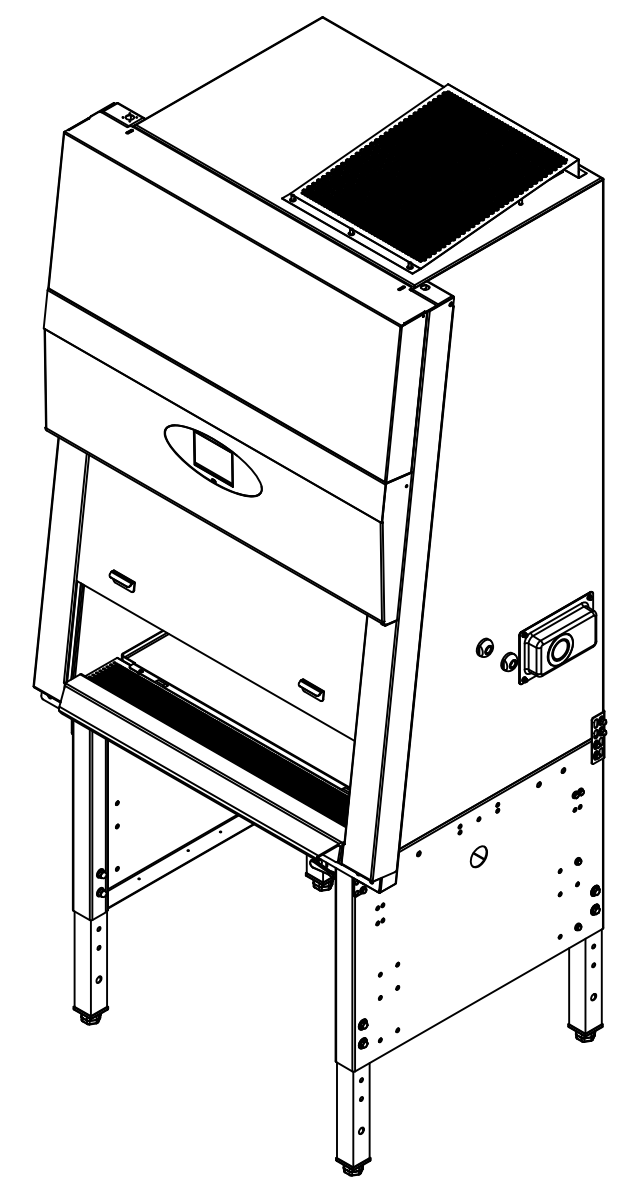
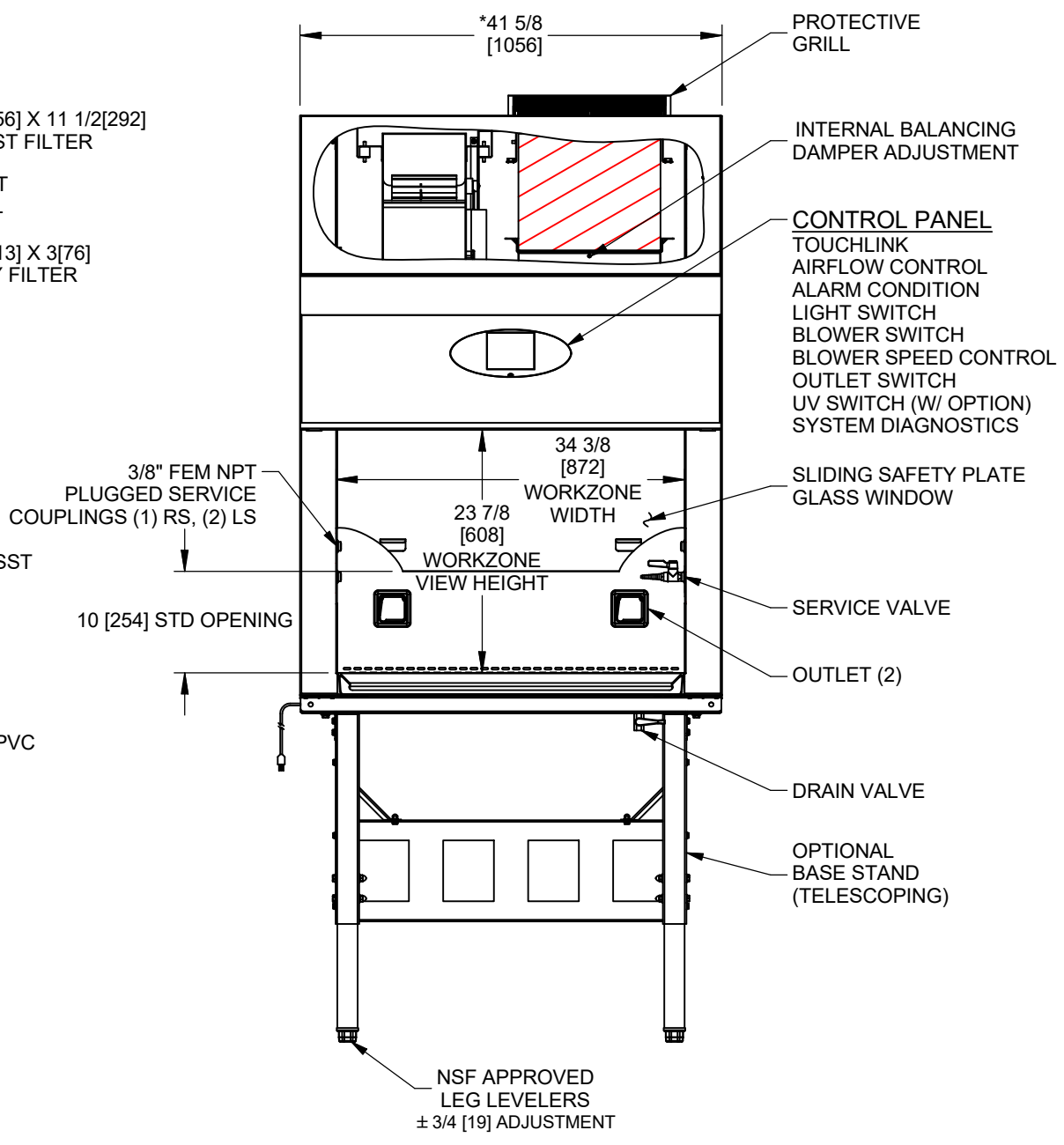
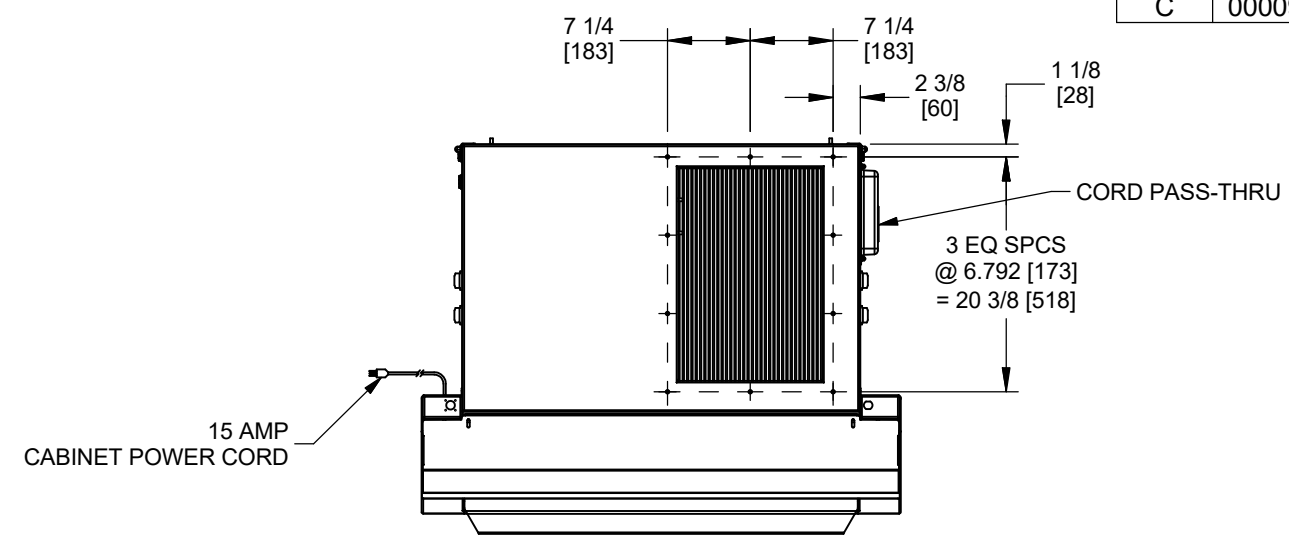




| REV | CO | DESCRIPTION | DATE | DFTM | CHKD |
|-----|--------|----------------------|----------|------|------|
| C | 000098 | ADDED CORD PASS-THRU | 9/5/2019 | TH | DSH |



- 20[508] X 14[356] X 11 1/2[292] HEPA EXHAUST FILTER
- FLUSH MOUNT FRONT PANEL
- 21[563] X 32[813] X 3[76] HEPA SUPPLY FILTER
- LED LIGHT
- REMOVABLE SST WORKTRAY
- REMOVABLE PVC ARMREST



* OVERALL DIMENSIONAL TOLERANCE ±1/4 [6.35]
ALL OTHER DIMENSIONS ±1/8 [3.17]

| | | | | | |
|--|----------|------|-----------|----|---|
| | | | | | |
| TITLE | | | | | |
| NU-545-300E Class II Type A2 Biosafety Cabinet | | | | | |
| DFTM | DATE | CHKD | SHEET | OF | |
| JK | 4/4/2016 | DSH | 1 | 1 | |
| DRAWING NUMBER | | | BCD-18245 | | C |

** ADD 1/2" [13] TO OVERALL HEIGHT WITH PROTECTIVE GRILL REMOVED

INCH
MILLIMETER