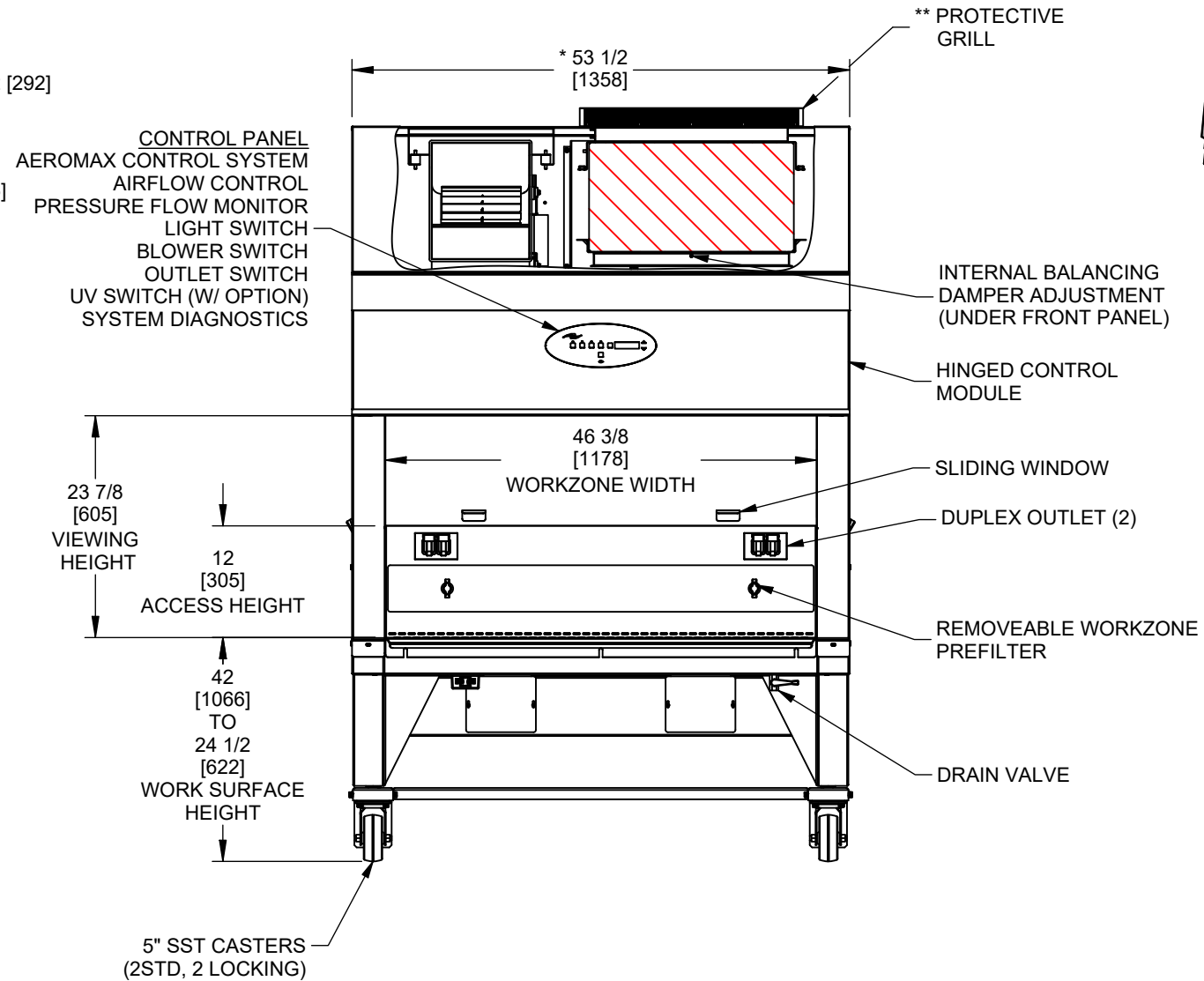
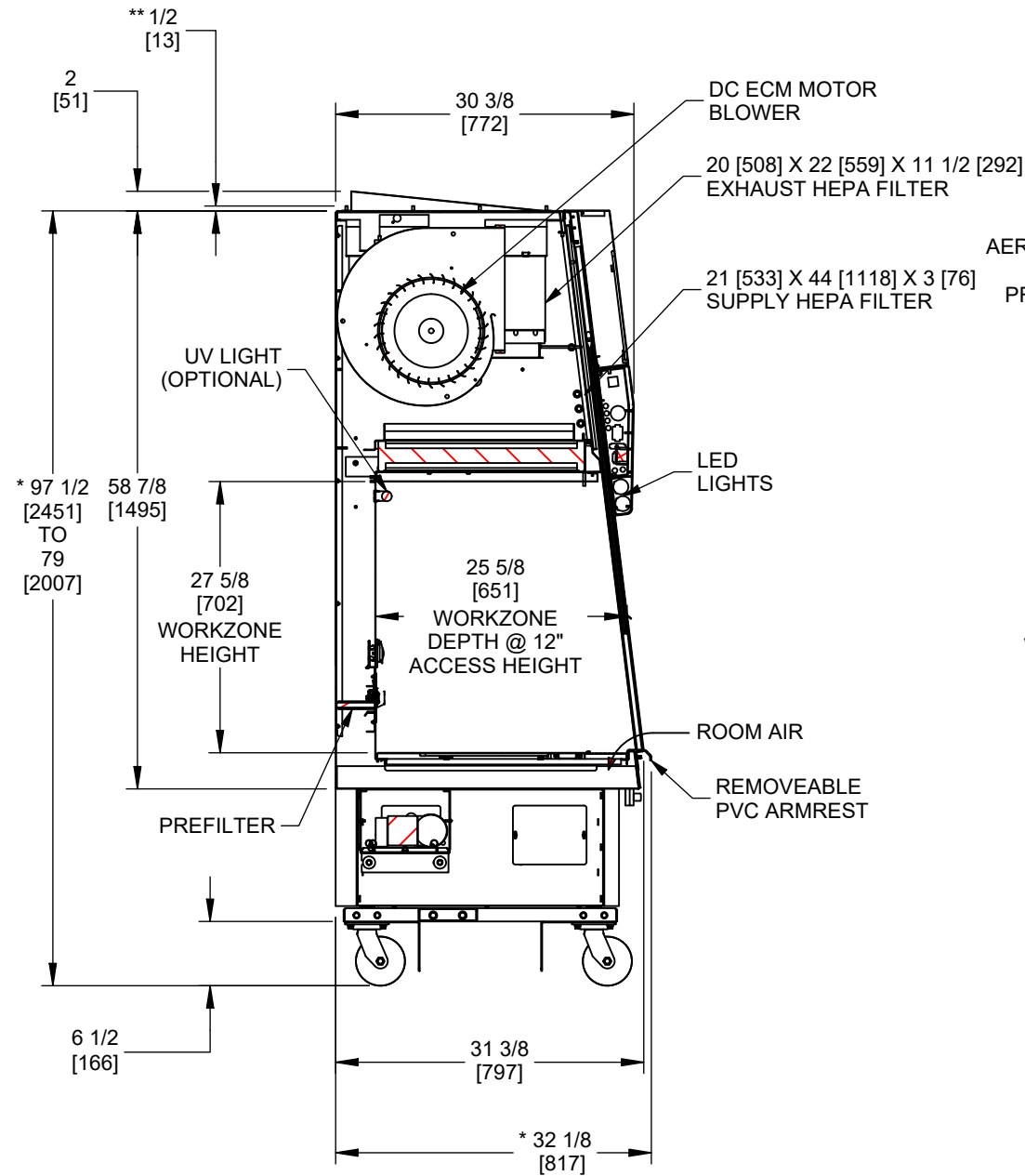
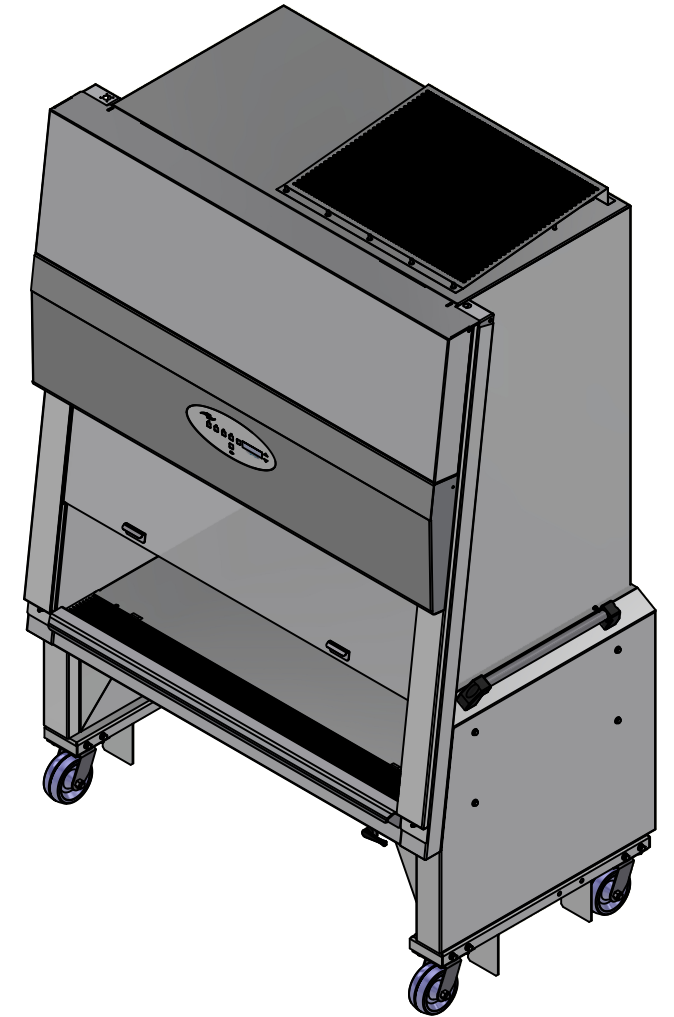
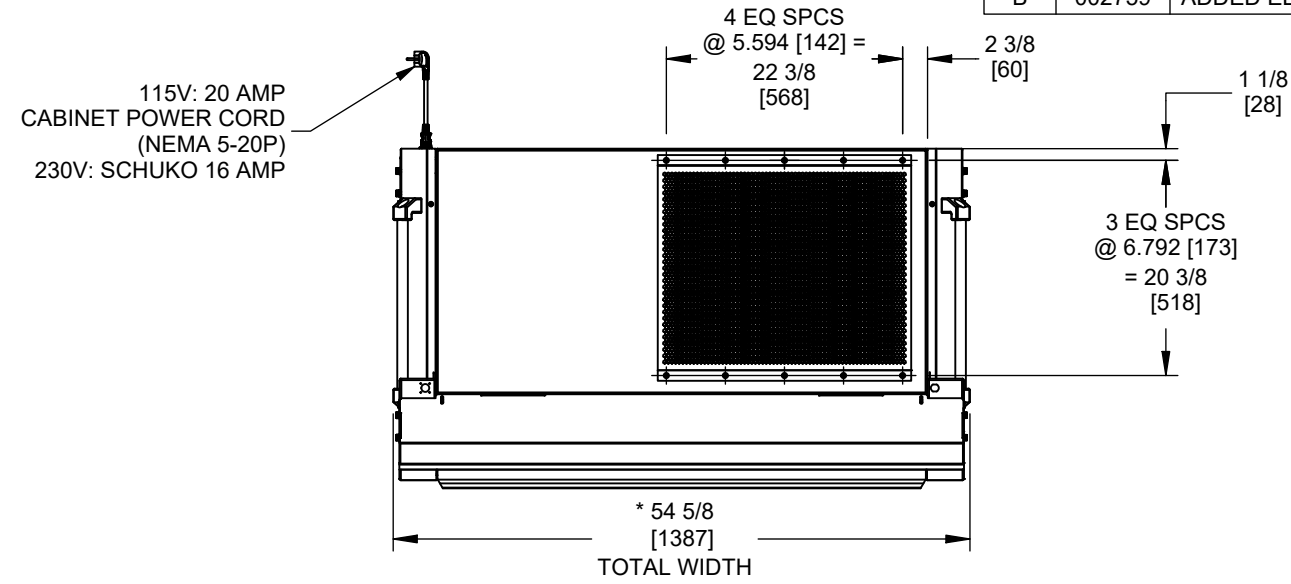


NOTE: THIS CABINET CONTAINS ELECTRONIC COMPONENTS THAT MAY CAUSE SOME GROUND FAULT CIRCUIT INTERRUPTER (GFCI) DEVICES TO INADVERTENTLY TRIP DUE TO INHERENT DESIGN DIFFERENCES. USE AT YOUR OWN RISK.



REV	CO	DESCRIPTION	DATE	DFTR	CHKD
B	002759	ADDED ELECTRONIC COMPONENT NOTE	1/11/2024	RN	DF



* OVERALL DIMENSIONAL TOLERANCE ±1/4 [6.35]
ALL OTHER DIMENSIONS ±1/8 [3.17]

** ADD 1/2' [76] TO OVERALL HEIGHT WITH PROTECTIVE GRILL REMOVED

INCH
MILLIMETER

TITLE					
NU-677-400 Specification Drawing					
DFTM	DATE	CHKD	SHEET	OF	
LS	7/24/2023	MSS	1	1	
DRAWING NUMBER			CD-000167		B