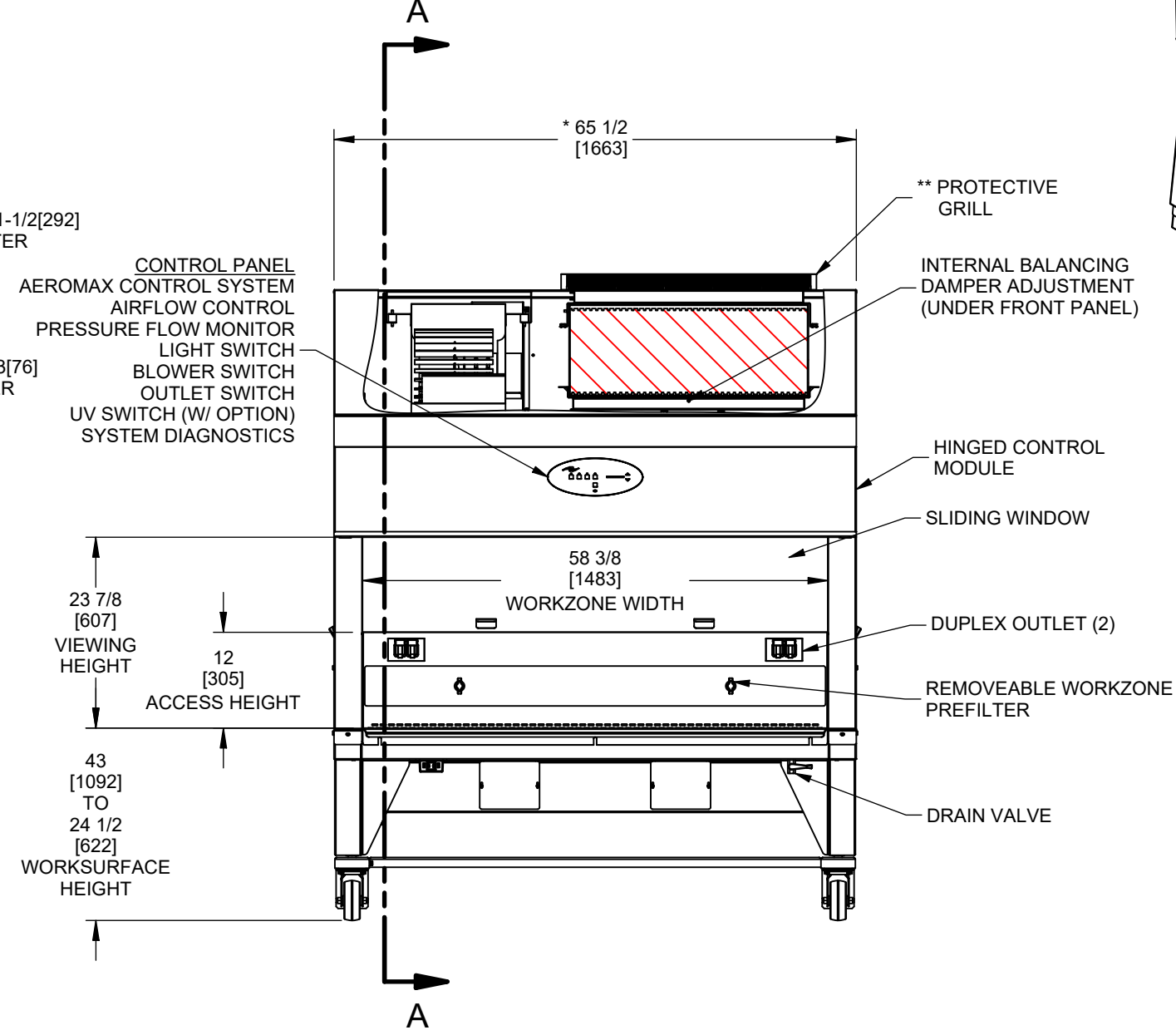
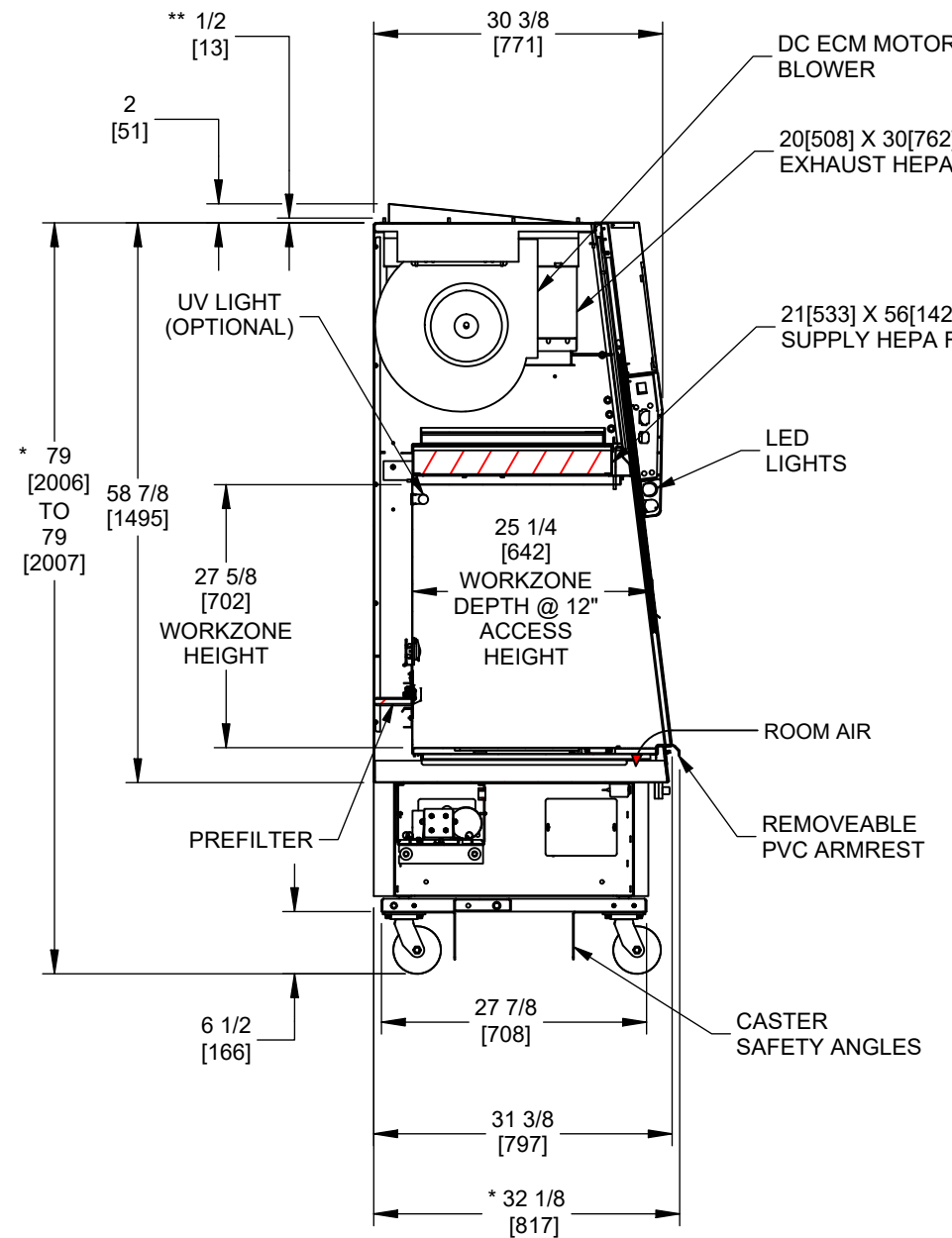
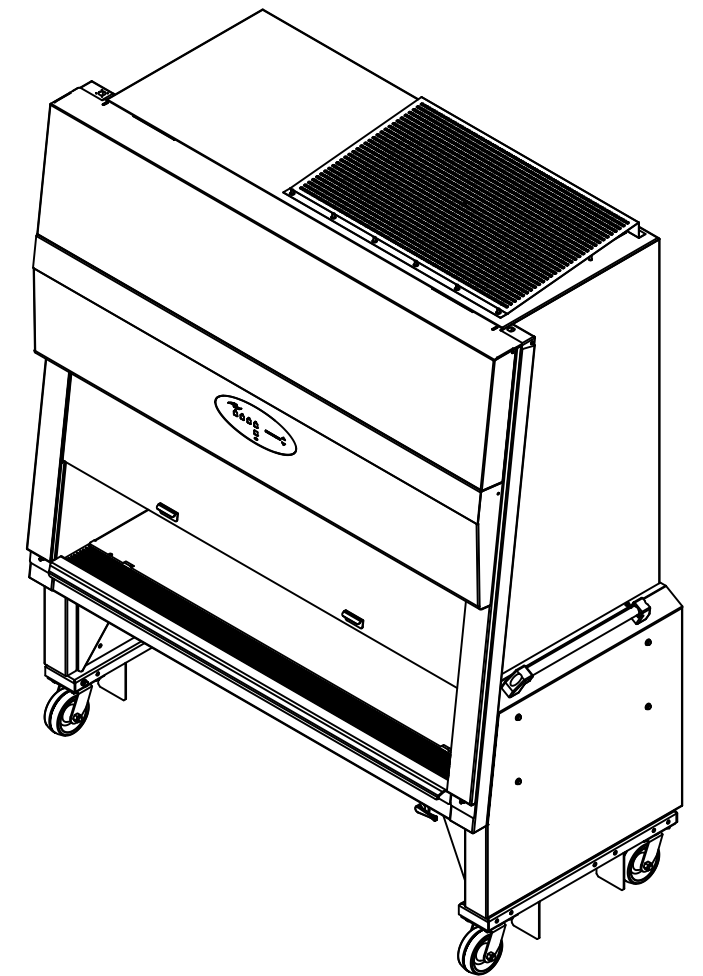
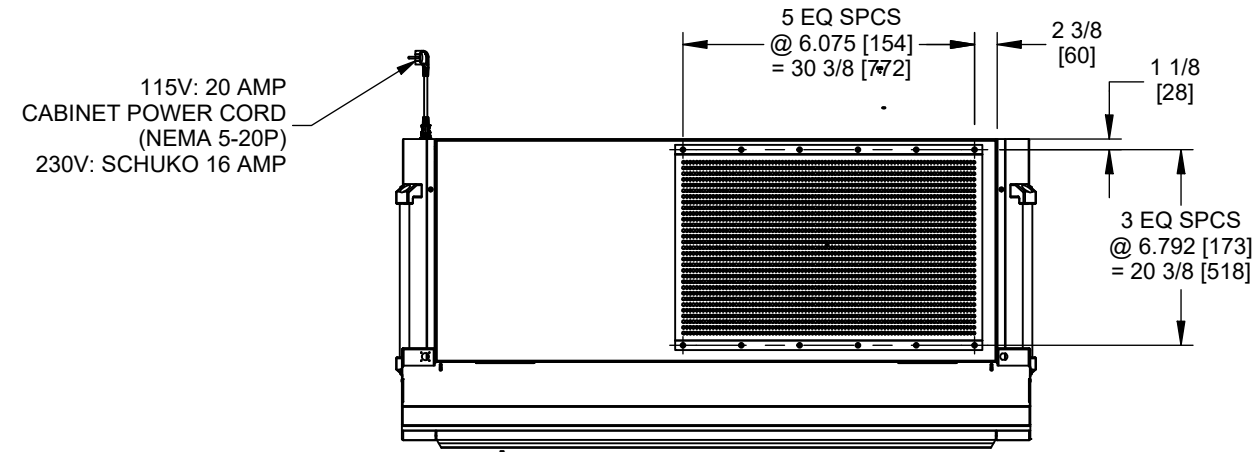


NOTE: THIS CABINET CONTAINS ELECTRONIC COMPONENTS THAT MAY CAUSE SOME GROUND FAULT CIRCUIT INTERRUPTER (GFCI) DEVICES TO INADVERTENTLY TRIP DUE TO INHERENT DESIGN DIFFERENCES. USE AT YOUR OWN RISK.



REV	CO	DESCRIPTION	DATE	DFTR	CHKD
B	002759	ADDED ELECTRONIC COMPONENT NOTE	1/11/2024	RN	DF



*OVERALL DIMENSIONAL TOLERANCE ±1/4 [6.35]
ALL OTHER DIMENSIONS ±1/8 [3.17]

** ADD 1/2' [76] TO OVERALL HEIGHT WITH PROTECTIVE GRILL REMOVED

INCH
MILLIMETER

TITLE NU-677-500 Specification Drawing					
DFTM LS	DATE 7/24/2023	CHKD MSS	SHEET 1	OF 1	
DRAWING NUMBER CD-000168			B		